

Industrial

Removable Element Woltman Water Meter WP-40B~500B



Applications

- It is a turbine removable element woltman water meter for industrial and irrigation application.

Available Sizes

- 1 3/4", 2", 2 1/2", 3", 4", 5", 6", 8", 10", 12", 16", 20".
40mm, 50mm, 65mm, 80mm, 100mm, 125mm, 200mm, 250mm, 300mm, 400mm, 500mm.

Standards

- ISO 4064 Class B Standard.

Features:

- Magnetic drive with lower transmission resistance.
- Dry dial register ensures clear reading.
- The body is made of cast iron or ductile cast iron coated with epoxy treatment.
- The measuring mechanism can be removable from the body for maintenance and replacement, and the body doesn't need to be dismantled from the pipeline.
- Low pressure and long working life.
- Inter-exchangeable parts.

Options:

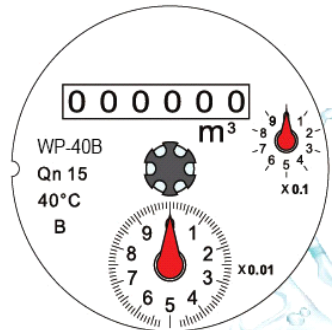
- Pulse output option.
- Meter for cold water and hot water.

Technical Specifications:

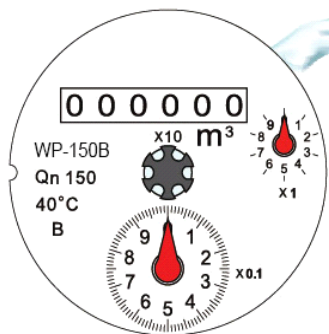
- Maximum Working Temperature :**
40°C for cold potable water meter.
90°C for hot potable water meter.
- Maximum Working Pressure :** 16Bar
- Body :** Cast Iron
- Flanges :** ISO

Installation Requirements:

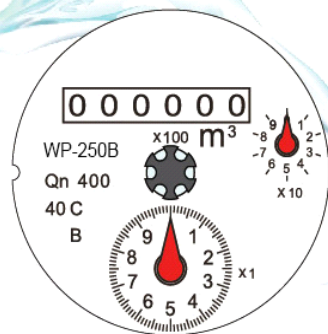
- Pipeline must be flushed before installation.
- The meter must have 10 diameters straight pipe ahead of the meter and 5 diameters straight pipe after to insure proper flow through the meter.
- The meter can be installed in any position with the register face upwards.
- The meter must be installed according to the arrow direction indicated on the meter body.
- The meter should be constantly full of water during operation.



◆ WP-40B~125B



◆ WP-150B~200B

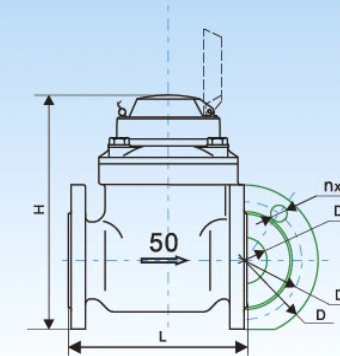


◆ WP-250B~500B



Industrial

Removable Element Woltman Water Meter WP-40B~500B



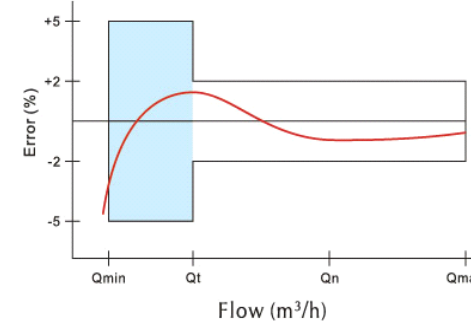
Dimensions and Weights

Nominal diameter	DN	40	50	65	80	100	125	150	200	250	300	400	500
Length	mm L	260	200	200	225	250	250	300	350	450	500	600	800
Height	mm H	225	232	242	252	262	275	325	355	470	497	638.5	764
Outside diameter	mm D	150	165	185	200	220	250	285	340	405	460	580	715
Circle diameter	mm D1	110	125	145	160	180	210	240	295	355	410	525	650
Connecting bolt quantity	nxM	4xM16		8xM16			8xM20	12xM20	12xM24		16xM27	20xM30	

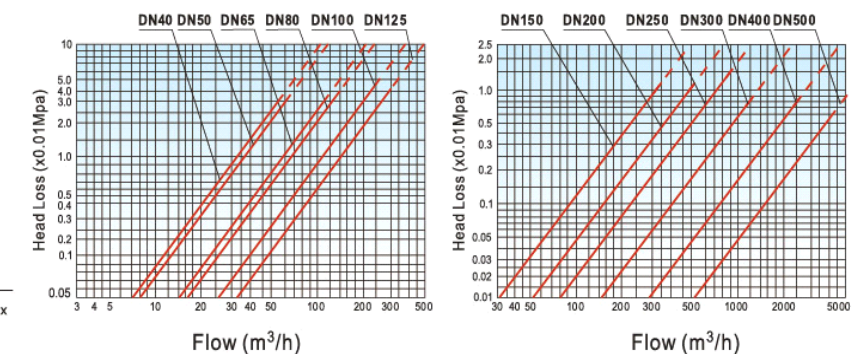
Maximum Permissible Error:

- In the lower zone from Qmin inclusive up to but excluding Qt is ± 5%.
- In the upper zone from Qt inclusive up to and including Qmax is ± 2%.
- In the upper zone from Qt inclusive up to and including Qmax is ± 3% (hot water).

Accuracy Curve



Head Loss Curve



Performance Data

Nominal diameter	mm	DN	40	50	65	80	100	125	150	200	250	300	400	500
Maximum flowrate	m³/h	Qmax	20	30	50	80	120	200	300	500	800	1200	2000	3000
Nominal flowrate	m³/h	Qn	10	15	25	40	60	100	150	250	400	600	1000	1500
Transitional flowrate	m³/h	Qt	3.0	3.0	5.0	8.0	12	20	30	50	80	120	200	300
Minimum flowrate	m³/h	Qmin	0.7	0.45	0.75	1.2	1.8	3.0	4.5	7.5	12	18	30	45
Maximum reading	m³		999999.99					9999999.9			99999999			
Minimum reading	m³		0.01					0.01			1			